

3014 Series

THOMAS
by Gardner Denver

FEATURES

- > Oil-less
- > Low vibration
- > Low sound level
- > Compact design
- > Light weight

TYPICAL APPLICATIONS

- > Patient monitoring
- > Anaesthetic control
- > Gas detection
- > Flue gas measurement
- > Pipetting

BASE MODEL

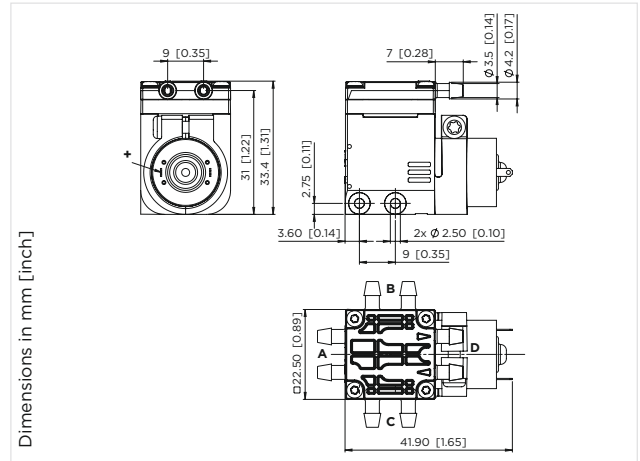
3014VD LC
3014VD DC



Diaphragm

3014VD LC

Flow	1.0 l/min
Max. pressure	840 mbar
Max. vacuum	65 %



PNEUMATIC DATA

Description	3014VD/0.6/E/LC		3014VD/0.6/E/LC	3014VD/0.6/E/LC
Part number	3.0 V	30140001	30140002	30140003
	4.5 V			
	12.0 V			
Max. flow		0.65 l/min	0.75 l/min	1.0 l/min
Max. intermittent pressure		770 mbar	790 mbar	840 mbar
Max. continuous pressure		200 mbar	200 mbar	200 mbar
Max. restart pressure		200 mbar	200 mbar	200 mbar
Max. intermittent vacuum		60 %	60 %	65 %
Max. continuous vacuum		20 %	20 %	20 %
Max. restart vacuum		20 %	20 %	20 %

ELECTRICAL DATA

Motor type	Permanent magnet	Permanent magnet	Permanent magnet
Max. power consumption	570 mW	690 mW	1030 mW
Protection class	IPO0	IPO0	IPO0

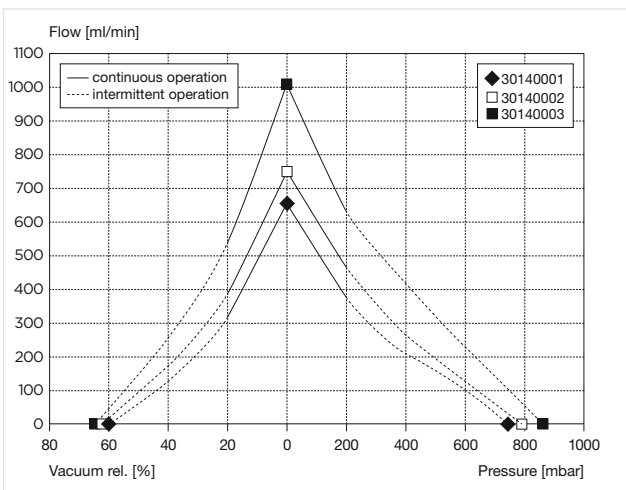
GENERAL DATA

Ambient temperature	10 to 40 °C	10 to 40 °C	10 to 40 °C
Media temperature	10 to 40 °C	10 to 40 °C	10 to 40 °C
Weight	36 g	36 g	36 g
Mounting side	self tapping screw Ø 3 mm (2x)	self tapping screw Ø 3 mm (2x)	self tapping screw Ø 3 mm (2x)
Port direction	D	D	D

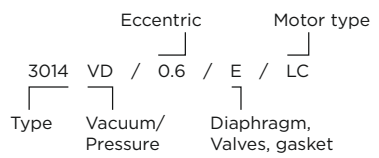
WETTED PARTS

Pump head	PAA	PAA	PAA
Diaphragm	EPDM	EPDM	EPDM
Valve/gasket	EPDM	EPDM	EPDM

FLOW CURVES

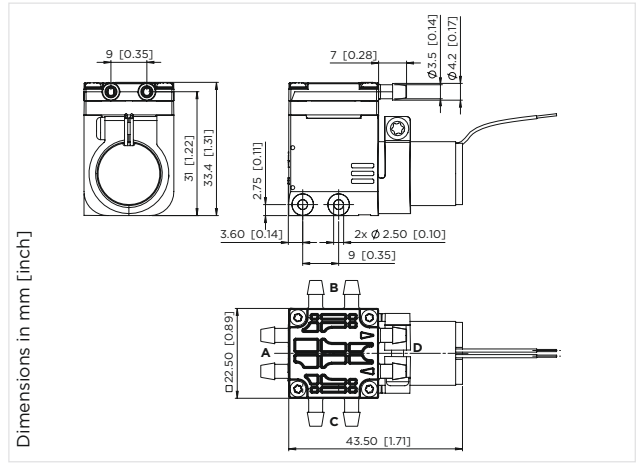


Model key:



3014VD DC

Flow	1.0 l/min
Max. pressure	840 mbar
Max. vacuum	65 %



PNEUMATIC DATA

Description	3014VD/0.6/E/DC		3014VD/0.6/E/DC		3014VD/0.6/E/DC	
Part number	4.5 V	30140004	6.0 V	30140005	12.0 V	30140006
Max. flow	0.8 l/min		0.8 l/min		1.0 l/min	
Max. intermittent pressure	740 mbar		800 mbar		840 mbar	
Max. continuous pressure	200 mbar		200 mbar		200 mbar	
Max. restart pressure	200 mbar		200 mbar		200 mbar	
Max. intermittent vacuum	60 %		60 %		65 %	
Max. continuous vacuum	20 %		20 %		20 %	
Max. restart vacuum	20 %		20 %		20 %	

ELECTRICAL DATA

Motor type	Ironless core DC		Ironless core DC		Ironless core DC	
Max. power consumption	840 mW		505 mW		950 mW	
Protection class	IP00		IP00		IP00	

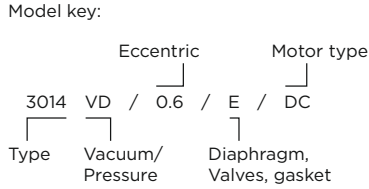
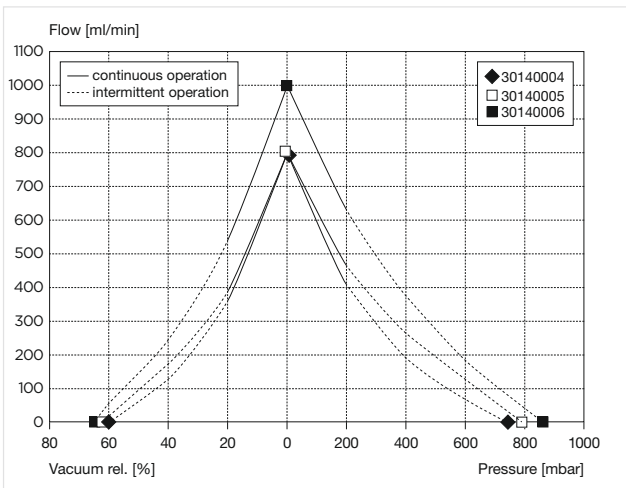
GENERAL DATA

Ambient temperature	10 to 40 °C		10 to 40 °C		10 to 40 °C	
Media temperature	10 to 40 °C		10 to 40 °C		10 to 40 °C	
Weight	43 g		45 g		43 g	
Mounting side	self tapping screw Ø 3 mm (2x)		self tapping screw Ø 3 mm (2x)		self tapping screw Ø 3 mm (2x)	
Port direction	D		D		D	

WETTED PARTS

Pump head	PAA		PAA		PAA	
Diaphragm	EPDM		EPDM		EPDM	
Valve/gasket	EPDM		EPDM		EPDM	

FLOW CURVES



PUMP AND COMPRESSOR SOLUTIONS FOR OEMS WORLDWIDE

gd-thomas.com



The information presented in this material is based on technical data and test results of nominal units. It is believed to be accurate and reliable and is offered as an aid to help in the selection of Thomas products. It is the responsibility of the user to determine the suitability of the product for the intended use and the user assumes all risk and liability in connection therewith. Thomas does not warrant, guarantee or assume any obligation or liability in connection with this information.

Models presented in this catalog are representative of the product family. Photos of products pictured in this catalog do not necessarily represent a specific model number. To obtain further information for custom options, contact your local Thomas office.

Printed in Germany Form No. 17003014 08/2016 © Gardner Denver Thomas GmbH. All rights reserved.

